

MA SERIES

PREDETERMINING ELECTRIC COUNTER

- 4 or 6 DIGITS
- PANEL MOUNT (by BAIL/CLIP)
- BUILT-IN RESET GUARD
- ADDITIVE
- DUSTPROOF COVER
- ECONOMICAL



MODEL SELECTION

| TYPE | MODEL | DIGITS | RESET MODE | WEIGHT |
|----------------------------|---------|--------|----------------------|--------|
| ADDITION PRESET COUNTER | MA-4111 | 4 | MANUAL | 260g |
| | MA-6111 | 6 | | 260g |
| | MA-4211 | 4 | ELECTRIC / MANUAL | 290g |
| | MA-6211 | 6 | | 290g |

SPECIFICATIONS

| Model | MA-4111 | MA-6111 | MA-4211 | MA-6211 |
|-----------------------|--|-----------------|---|-----------------|
| Display | 4 (3.8 × 2.6mm) | 6 (3.4 × 2.4mm) | 4 (3.8 × 2.6mm) | 6 (3.4 × 2.4mm) |
| Power Source | DC24V, AC100/110V, AC200/220V (50 / 60 Hz) | | | |
| Voltage Fluctuation | ± 10% | | | |
| Power Consumption | Count : 4.7 ~ 5.0 VA (AC) ; 3.6 W (DC) / Reset : 20.6 ~ 20.7 VA (AC) ; 15.7 W (DC) | | | |
| Continuous Energizing | Permissible (count) | | Permissible (count), less than 1 minute (reset) | |
| Counting Method | One pulse – One count (energizing – ½ count, unenergized – ½ count) | | | |
| Counting Speed | 10 Hz | | | |
| Pulse Width | 50msec. ON, OFF | | | |
| Make (Duty) | 1 : 1 | | | |
| Reset Time | (manual) | | approx. 0.3 seconds | |
| Output | 1C Relay AC 250V 5A | | | |
| Connection | Screw Terminal | | | |
| Operating Temperature | -5°C ~ +40°C (non-freezing) | | | |
| Operating Humidity | 85%RH maximum (non-condensing) | | | |
| Test Voltage | AC1,500V for 1 minute | | | |
| Insulation Resistance | 20MΩ minimum (500VDC megger) | | | |
| Vibration | Endurance : 16.7Hz, double amplitude 4mm / Malfunction : 10 ~ 55Hz, double amplitude 0.5mm | | | |
| Shock | Endurance : 300 m/s ² (30G) / Malfunction : 50 m/s ² (5G) | | | |
| Construction | Gray, plastic (Noryl) | | | |
| Weight | 260 grams | | 290 grams | |

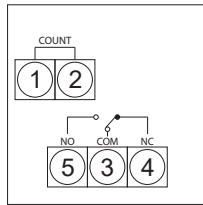
SETTING THE PRESET

1. Open the Preset front cover while pushing the reset button.
2. Turn each of the Preset wheels until desired setting is reached.
3. Close the Preset front cover while pushing the reset button.
4. If the front cover is open or is not closed completely, the output will not occur when preset is reached.

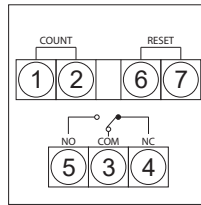
CAUTION

1. Do not install the counter where strong vibration is present.
2. Be sure to switch off power source before every preset is made.
3. Do not reset while the counter coil is energized.
4. Use protecting circuit when the counter is used with devices that produce surge voltage.

CONNECTIONS

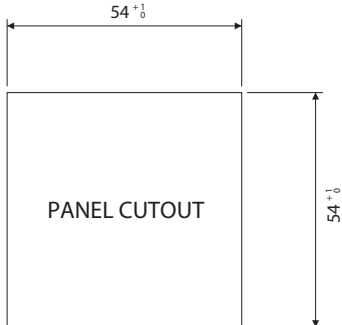
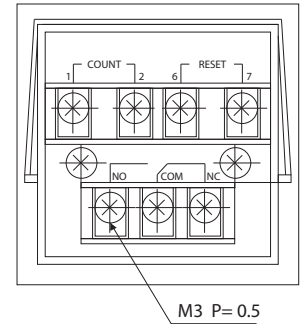
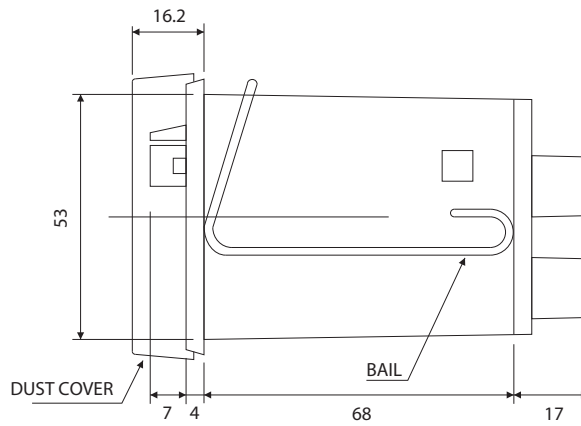
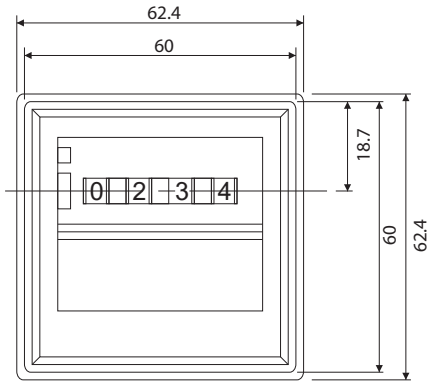


MA-4111
MA-6111



MA-4211
MA-6211

DIMENSIONS



This catalog was last revised Sep. 10, 2021.

*Subject to change without prior notice.

All Rights Reserved, Copyright © 2021, LINE SEIKI CO., LTD.



LINE SEIKI CO., LTD.

37-7 Chuo-cho, 2-Chome
Meguro-ku, Tokyo 152-0001 Japan
Please visit our company website for contact details
webtrade@line.co.jp
<https://www.lineseiki.com>