

SP1-101/102

MECHANICAL COUNTER



- Revolution / Direct Drive Type
- 4 Or 5 Digits Display
- Double Sided Input Shaft
- Robust Built For Heavy Duty Application
- Push Button Reset

MODEL SELECTION

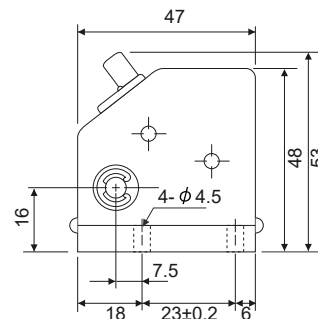
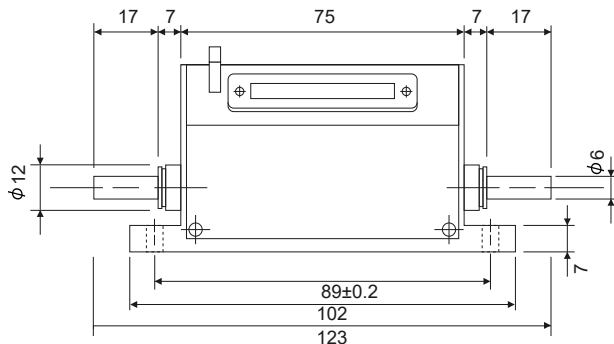
Type	Digits			Weight
		Type I Top Going	Type II Top Coming	
Revolution (1 count / rev)	4	SP1 - 101-4 (I)	SP1 - 101-4 (II)	215g
	5	SP1 - 101-5 (I)	SP1 - 101-5 (II)	260g
Direct Drive (10 counts / rev)	4	SP1 - 102-4 (I)	SP1 - 102-4 (II)	220g
	5	SP1 - 102-5 (I)	SP1 - 102-5 (II)	265g

SPECIFICATIONS

Display	6 x 4mm (White on Black Background)
Input/Count Method	Shaft rotation (2 sides)
Starting Torque	Revolution : 10mN·m Direct Drive : 20 mN·m
Count Speed	Revolution : 3000 revolution/min. max. Direct Drive : 300 revolution/min. max.
Reset	Push Button
Ambient Temp.: Operating	-5 - +40°C (Non-Freezing)
Ambient Humid.: Operating	85%RH maximum (Non-Condensing)

DIMENSIONS

SP1-101-4 (I)
SP1-101-4 (II)
SP1-102-4 (I)
SP1-102-4 (II)



SP1-101-5 (I)
SP1-101-5 (II)
SP1-102-5 (I)
SP1-102-5 (II)

