

SP1-202/203

LINE SEIKI

Direct Drive Counter with Single-sided Input Shaft

SP1-203 Series are Production on order

- Suitable to check the amount of movement of diverse kinds of machinery and instruments.
- Digit-wheels, pinions, and engaged gears, etc. are molded synthetic-resin parts that are light and wear-resistant.
- Can be reset to zero easily by pushing the reset button, which perfectly suits repetitive work.



MODEL SELECTION

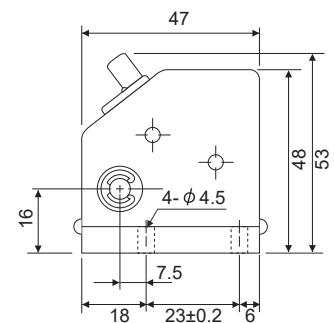
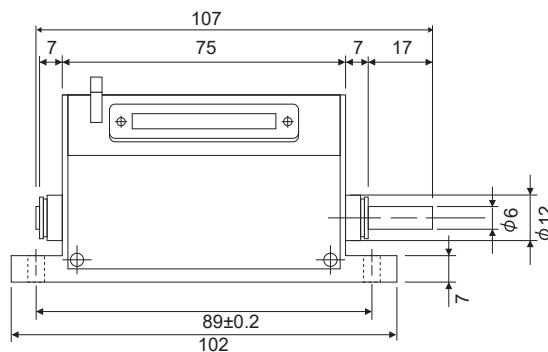
Ratio (Reverse to Subtract)					
		Right shaft	Left shaft	Right shaft	Left shaft
		Type I		Type II	
10 counts / rev (1:10)	Right shaft	SP1-202-4(I) R		SP1-202-4(II) R	
	Left shaft		SP1-202-4(I) L		SP1-202-4(II) L
15 counts / rev (1:15)	Right shaft	SP1-203-4(I) R 1:15		SP1-203-4(II) R 1:15	
	Left shaft		SP1-203-4(I) L 1:15		SP1-203-4(II) L 1:15
20 counts / rev (1:20)	Right shaft	SP1-203-4(I) R 1:20		SP1-203-4(II) R 1:20	
	Left shaft		SP1-203-4(I) L 1:20		SP1-203-4(II) L 1:20
30 counts / rev (1:30)	Right shaft	SP1-203-4(I) R 1:30		SP1-203-4(II) R 1:30	
	Left shaft		SP1-203-4(I) L 1:30		SP1-203-4(II) L 1:30

SPECIFICATIONS

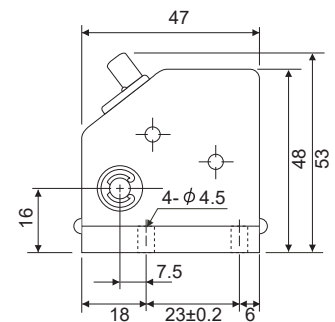
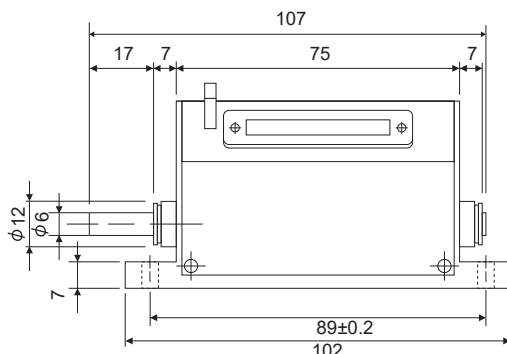
Digits & Figure Colors	4 Digits (6 x 4mm)	First figure is Yellow on Black background. Others are White on Black background.
Reset	Push Button	
Count Speed	10 counts / rev : 300 rpm 15 or 20 counts / rev : 150 rpm 30 counts / rev : 100 rpm	
Operating Torque	20m N·m	
Paint Color of Housing	Gray	
Ambient Temp.: Operating	-5 - +40°C (Non-Freezing)	
Ambient Humid.: Operating	85%RH maximum (Non-Condensing)	
Weight	220g	

DIMENSIONS (mm)

Right Shaft Type (R)



Left Shaft Type (L)



This catalog was last revised Sep. 27 2022.
Specifications and printed contents are subject to change without prior notice.
All Rights Reserved, Copyright © 2022, LINE SEIKI CO., LTD.



LINE SEIKI CO., LTD.

37-7 Chuo-cho, 2-Chome
Meguro-ku, Tokyo 152-0001 Japan
Please visit our company website for contact details
webtrade@line.co.jp
<https://www.lineseiki.com>