

## TALLY COUNTERS

# H-102

# P

### ■ Features of products

The history of our counters almost started from Mechanical Tally Counter H-102 Series.

Tally Counters H-102P have the same internal structure and mechanism with high reliability, but they are significantly lighter in weight thanks to their plastic housing.



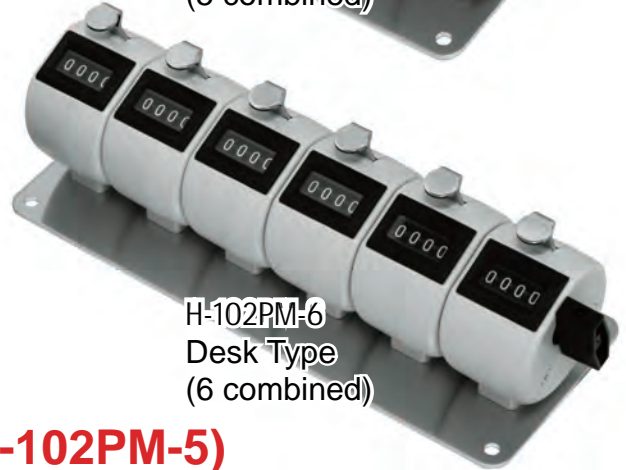
H-102P  
Handy Type



H-102PM-5  
Desk Type  
(5 combined)



H-102PB  
Desk Type



H-102PM-6  
Desk Type  
(6 combined)

### ■ Carrying Case (Exclusive use for H-102PM-5)

You can bring out 4 sets of H-102PM-5 with ease and safety.  
Patented in Japan (No. 5923721)



Holds 4 sets of H-102PM-5



C-0102  
Exclusive use for H-102PM-5  
Carrying Case



Slide and fix H-102PM-5 at slits



Board part can be detached

### ■ About quality

ID number is given to each single product for traceability.



Laser engraving on side of all types

## Product Applications

- Ideal For Traffic Surveying ...
- Pedestrian Traffic Survey ...
- Attendance Check ...
- Passenger Check ...
- Religious Purposes ...
- Laboratory Purposes ...

## About laser engraving

We engrave our company logo on each product by laser engraving.  
For different engraving, please send your inquiry to us.



**H-102P SERIES**  
XXXXX-XXXXXX  
MADE IN THE PHILS.

## Model Selection / Specifications

Models	Digits	Case	Mounting	No. of Units	Weight
H-102P	4	ABS resin (Gray)	Hand	1	Approx. 32g
H-102PB			Desk		Approx. 42g
H-102PM-5			5	6	Approx. 220g
H-102PM-6					Approx. 260g

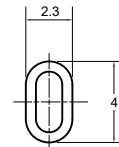
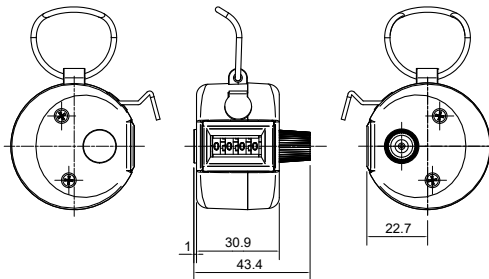
**Ambient Temp. : Operating** -5°C - +40°C (Non-Freezing)  
**Ambient Humid. : Operating** 85%RH maximum (Non-Condensing)

**Carrying Case (Exclusive use for H-102PM-5)**

Model	Dimensions (mm)
C-0102	370 x 220 x 88 (except Handle)

## Dimensions (mm)

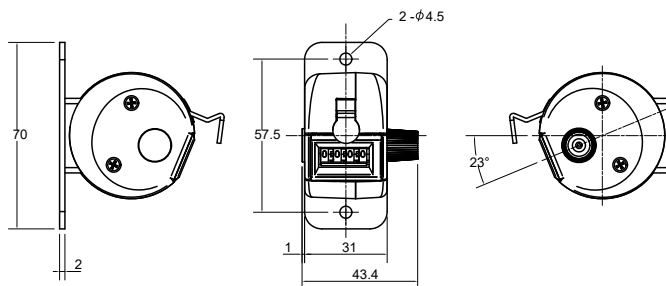
### H-102P



\* Common to all models

## Dimensions of A Number (mm)

### H-102PB

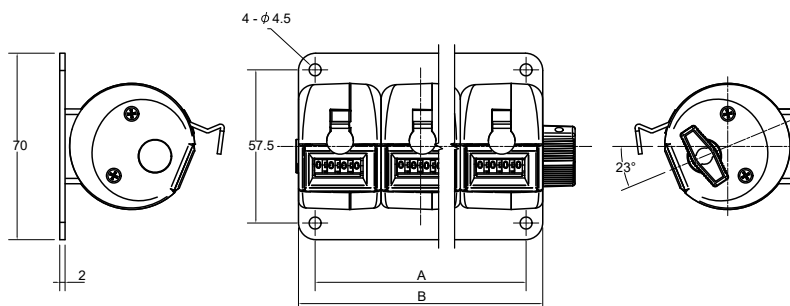


### H-102PM-5

(5 combined)

### H-102PM-6

(6 combined)



Models	A	B
H-102PM-5	142.5	155
H-102PM-6	173.5	186

This catalog was last revised Oct. 8, 2021.

\*Subject to change without prior notice.

All Rights Reserved, Copyright © 2021, LINE SEIKI CO., LTD.



**LINE SEIKI CO., LTD.**

37-7 Chuo-cho, 2-Chome  
Meguro-ku, Tokyo 152-0001 Japan  
Please visit our company website for contact details  
webtrade@line.co.jp  
<https://www.lineseiki.com>